

The technical content of this document is approved under the authority of  
EASA.21J.140 (C156 iss 3)

### 7.36 PILOT OR PASSENGER RESTRAINT HARNESS

#### 7.36.1 GENERAL

This supplement shall be inserted in the Maintenance Manual, in Section 7: 'Supplements' with the revisions record sheet amended accordingly.

Information contained herein supplements, or in the case of conflict, supersedes that contained in the basic Maintenance Manual. For Limitations, Procedures, and Performance Data not contained in this supplement, consult the basic Hot Air Balloon Maintenance Manual.

Issue 4 of this supplement has 8 pages.

#### 7.36.2 ENVELOPE REPAIRS

No change.

#### 7.36.3 BASKET REPAIRS

##### 7.36.3.11 Installation of Restraint Anchors

Restraint anchors can consist of a U-bolt through the floor (solid floor baskets), a webbing strap (solid or woven floor baskets), or a D-ring installed around an internal runner.

##### U-Bolt

**WARNING:** When drilling holes in the basket floor, great care should be taken not to damage the basket wires, their hide protection, or the floor lacing.

The U-bolt should be cut to length (ensuring that there are enough threads for the bolt to be in safety) to suit the basket floor thickness. Nyloc or Aerotight nuts should be used. When the retaining nuts have been fitted, the end of the bolts should be deformed to ensure the nut cannot become loose.

##### Webbing Strap

The webbing strap can be looped around the lower frame (solid floor baskets) or around the vertical thick (20mm diameter or more) canes in the basket side wall (woven floor baskets).

The final loop position of the webbing strap to the wicker must be within 150mm of the basket floor.

#### 7.36.4 FUEL SYSTEM REPAIRS

No change.

**7.36.5 INSTRUMENT REPAIRS**

No change.

7.36.6 MAINTENANCE SCHEDULE

<b>Basket Type:</b>			
<b>Part No.:</b>		<b>Serial No.:</b>	

7.36.6.5.8.1 Basket Ancillary Equipment (additional)

Component	Check / Inspect / Record	Pass/Fail (✓)/(x)
Restraint Anchor	Inspect for damage, deterioration, security of fittings, correct operation	
	Inspect U-bolts for security, damage	
	Inspect webbing anchors for security, damage	
	Inspect D-ring for security, damage	
Pilot Restraint Harness	Inspect for damage, deterioration, security of fittings, correct operation	
Passenger Restraint Harness	Inspect for damage, deterioration, security of fittings, correct operation	

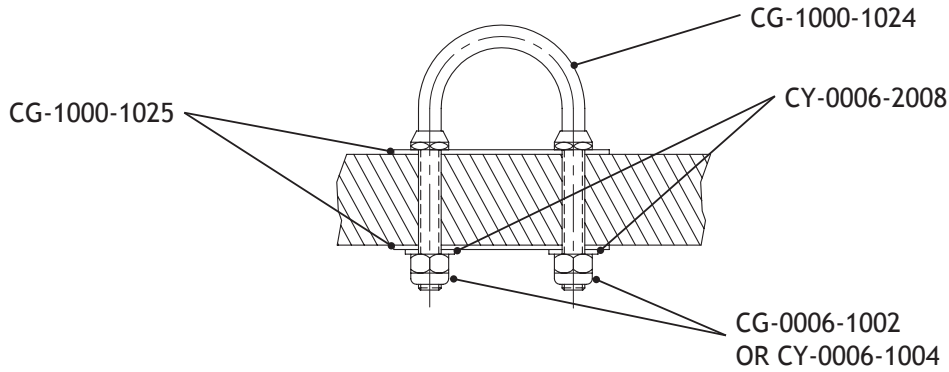
Workpack No.	CN	Inspection Date	Inspectors Signature/No.
--------------	----	-----------------	--------------------------

**7.36.8 REPAIR PARTS AND MATERIALS**

**7.36.8.3.2 Basket Materials**

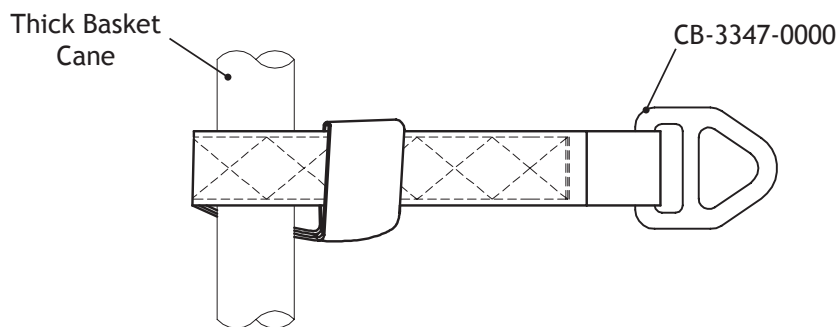
Depending on the restraint anchor type the below materials apply:

**U-bolt**



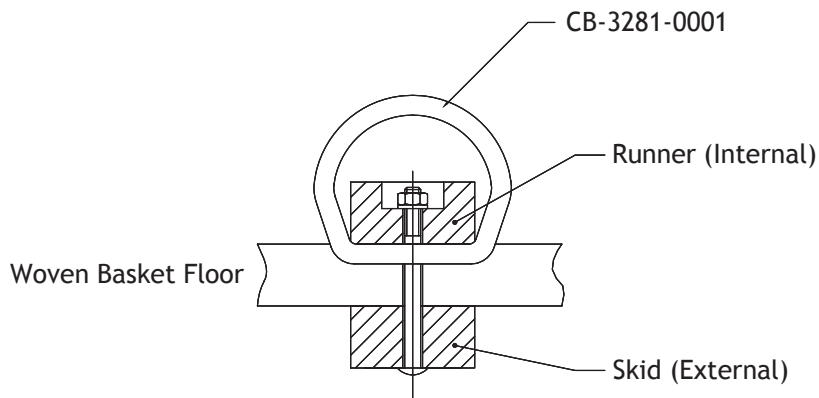
**Webbing Strap Anchor**

Part Number	Description
CB-1000-1024	U-bolt, 6mm Stainless Steel
CG-1000-1025	Backing Plate (2 off required per U-bolt)
CG-0006-1002	Nut, Nyloc, M6 (2 off required per U-bolt, unless CY-0006-1004 used as alternative)
CY-0006-1004	Nut, Aerotight, M6 (2 off required per U-bolt, unless CY-0006-1002 used as alternative)
CY-0006-2008	Plain Washer, M6 (2 off required per U-bolt)



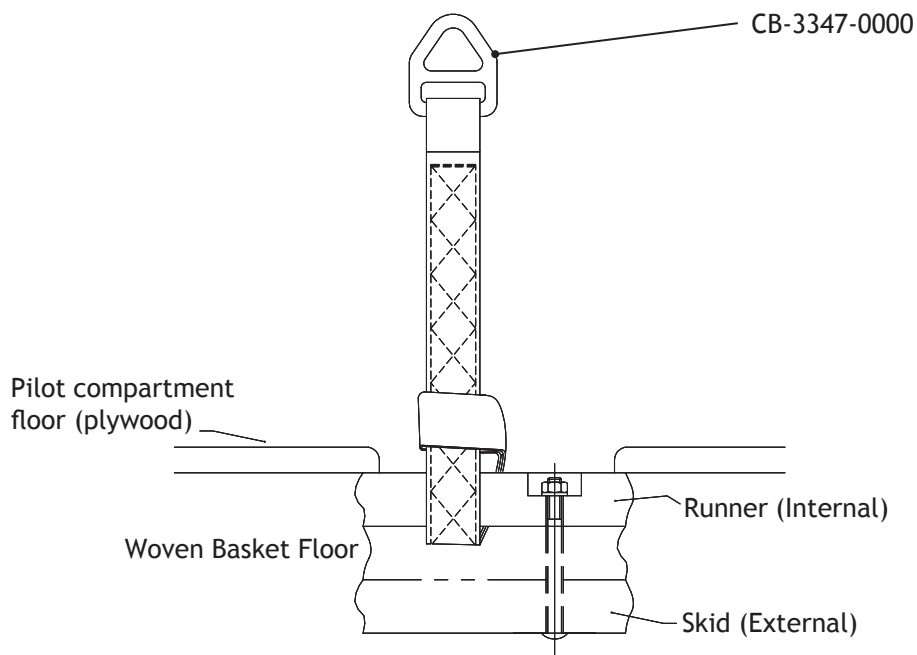
Part Number	Description
CB-3347-0000	Restraint Anchor (webbing)

**D-ring Under-skid Anchor**



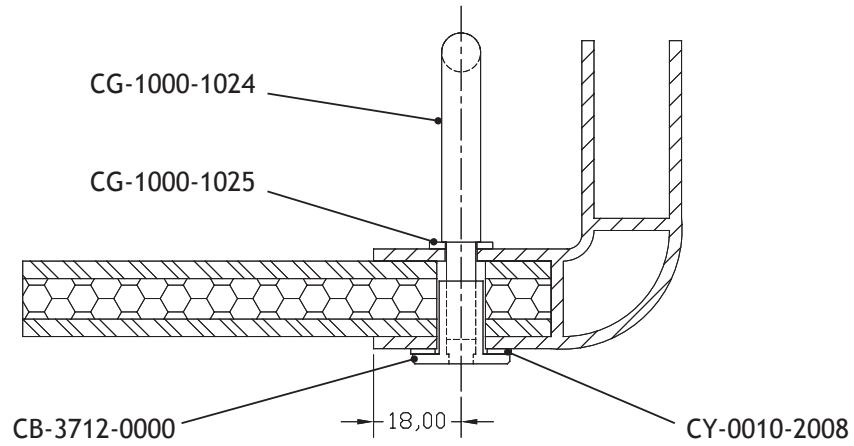
Part Number	Description
CB-3281-0001	D-ring, 50mm
CU-1008-1110	Coach Bolt, M8
CY-0008-1002	Nut, Nyloc, M8
CY-0008-2008	Plain Washer, M8

**Webbing Strap Under-skid Anchor**



Part Number	Description
CB-3347-0000	Restraint Anchor (webbing)
CU-1008-1110	Coach Bolt, M8
CY-0008-1002	Nut, Nyloc, M8
CY-0008-2008	Plain Washer, M8

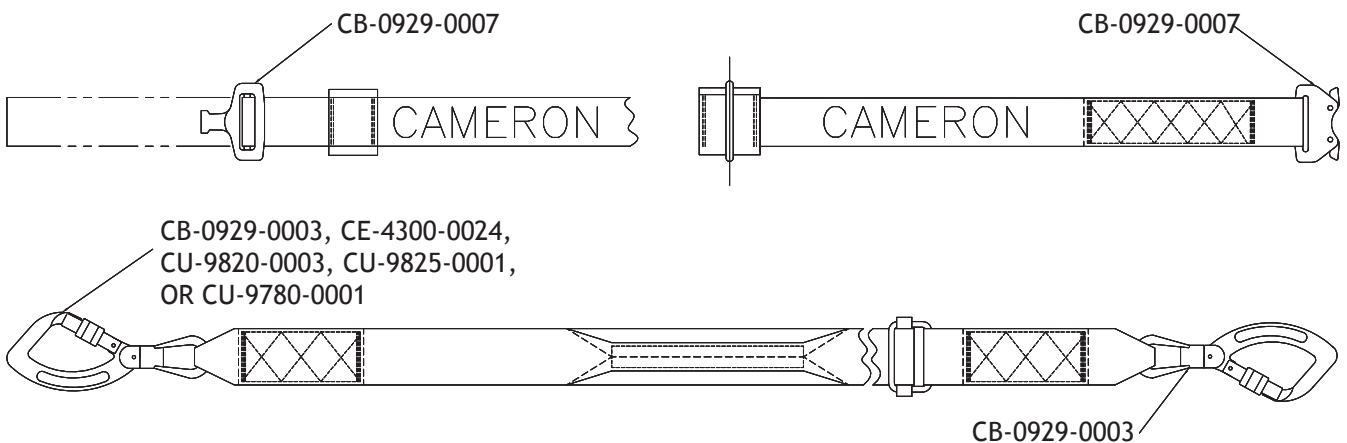
**Nano Basket U-bolt Anchor**



Part Number	Description
CG-1000-1024	U-bolt, 6mm Stainless Steel
CG-1000-1025	Backing Plate (1 off required per U-bolt)
CY-0010-2008	Plain Washer, M10 (2 off required per U-bolt)
CB-3712-0000	Sleeve Nut, M6, 20mm length (2 off required per U-bolt)

**Pilot Restraint Harnesses**

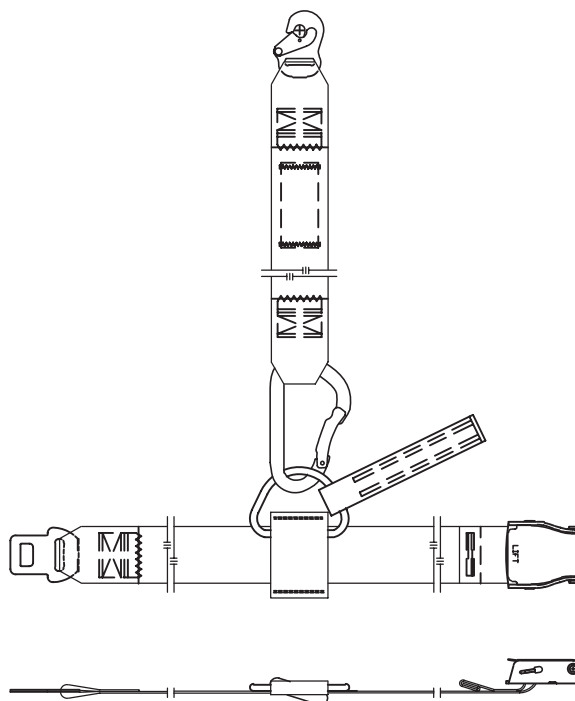
Part Number	Description
CB876	Pilot Restraint Mk.1
CB929	Pilot Restraint Mk.2



▲ **CB929 (Issue E and later) Pilot restraint**

Passenger Restraint Harnesses

Part Number	Description
CB3515	Passenger Restraint Harness



▲ CB3515 Passenger restraint

Intentionally Blank Page