

Service Instruction



1. General

(a) No.:	39
(b) Issue / Date	Issue A / 03-07-2024
(c) Title:	Installation of Sportlite Compact External Cylinder Mounting Equipment.
(d) Description:	This document provides instructions for the installation of components required to mount external Fuel Cylinders to the Sportlite Compact basket.
(e) Applicability:	<ol style="list-style-type: none">1. Sportlite Compact 2 & 3 baskets only.2. For the following cylinders only:<ol style="list-style-type: none">a. CB250b. CB426c. CB497d. CB599e. CB2380f. CB2385g. CB2900h. CB2901i. CB2990j. CB8420
(f) Effectivity:	All

Note: Applicability = All types and variants to which the change can be applied.

Effectivity = Actual CN or group of CN's to which the bulletin has been/will be applied.

2. Accomplishment Instructions

Preparation:

- a. To perform these instructions, manual handling of the basket is required. Make sure that the work is performed using the correct tools and personal safety equipment.
- b. The installation of external cylinders occurs before envelope inflation and is not to be performed in a launch field. It may be suitable to support the basket on a bench whilst performing this work.
- c. When drilling, use scrap wood on the opposite side to produce a clean hole.
- d. Remove any equipment inside the basket that could interfere with the work, including cylinders and the burner frame. If fitted, remove the cushion floor from the bottom of the basket.
- e. See Table 1 for additional information on components referred to in this document.

Installation:

1. On the outside of the basket floor, mark the position of the holes for the Runners (Item 15), the location of which can be seen in Figure 1. Mirror this on the other side.

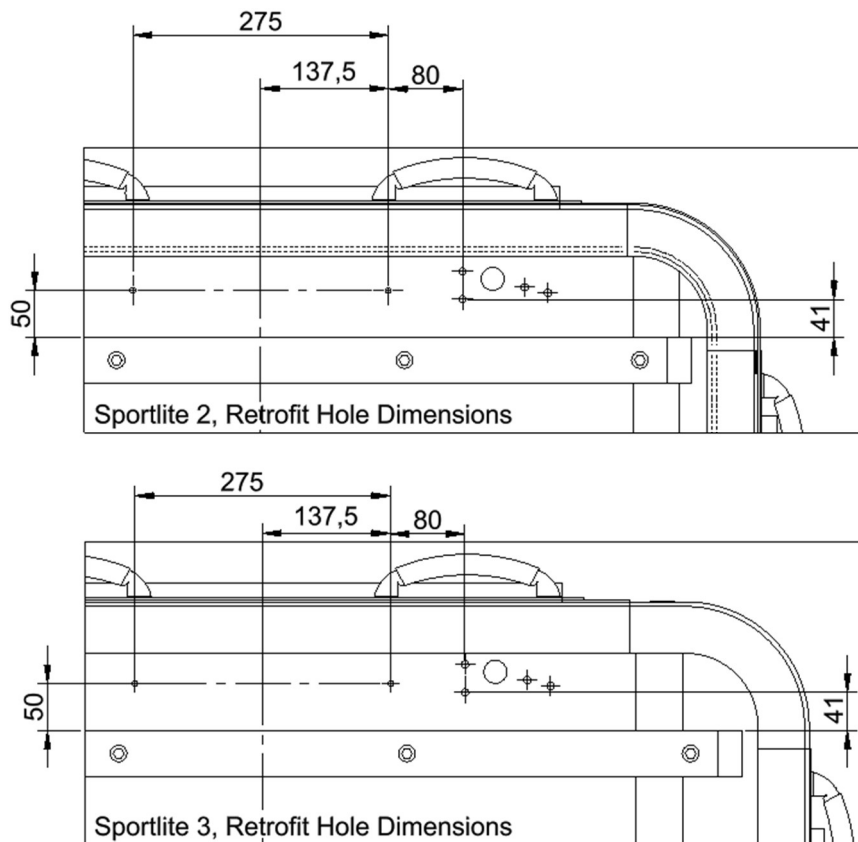


Figure 1 - shows the position of the holes for one corner of the basket.

2. Use the runner as a guide to check the position of the markings. Drill two $\varnothing 6.4$ mm holes for each of the runners where marked.
3. Attach the Runners to the outside of the Basket Floor using M6 Fasteners (Item 16), see Figure 2. Make sure that the head of the fastener is on the inside of the basket floor and that the stem of the bolts is sub-flush with the Runner. Cut to suit if they overextend, see Figure 3.

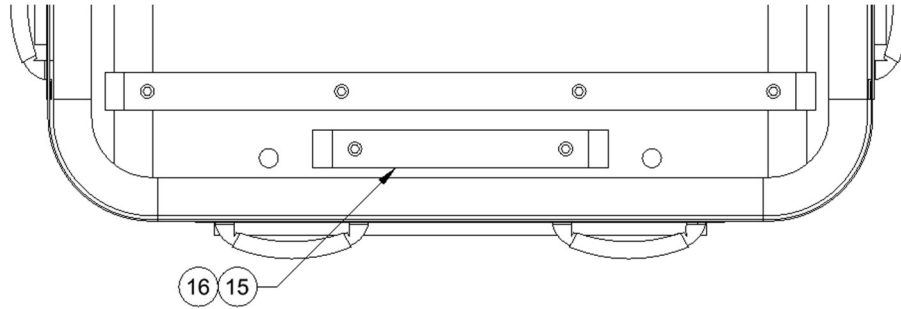


Figure 2 - shows the Runner fastened to the outside of the basket floor.

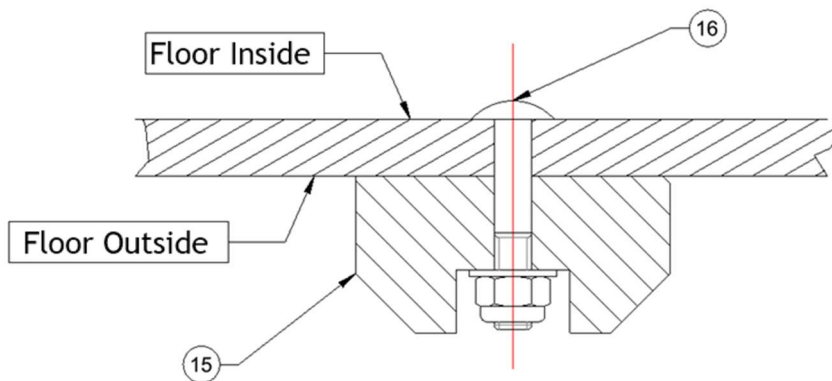


Figure 3 - shows the required orientation of the fasteners.

4. Tighten the nuts of the fasteners until secure.
5. Mark the position of the holes shown in Figure 1 for the Strengthening Plate (Item 14).
6. Use the Strengthening Plate as a guide to mark the position of the rest of the holes for the component. Make sure that the markings line up and check that the 25mm drainage hole of the basket is concentric with the 25 mm hole of the Strengthening Plate.
7. Remove the plate and drill $\varnothing 9$ mm holes through the basket floor.
8. Fit the strengthening plate to the inside of the basket floor using M8 Bolts (Item 10). A Penny Washer (Item 13), with a larger diameter, is used to secure the strengthening plate only, see Figure 4.

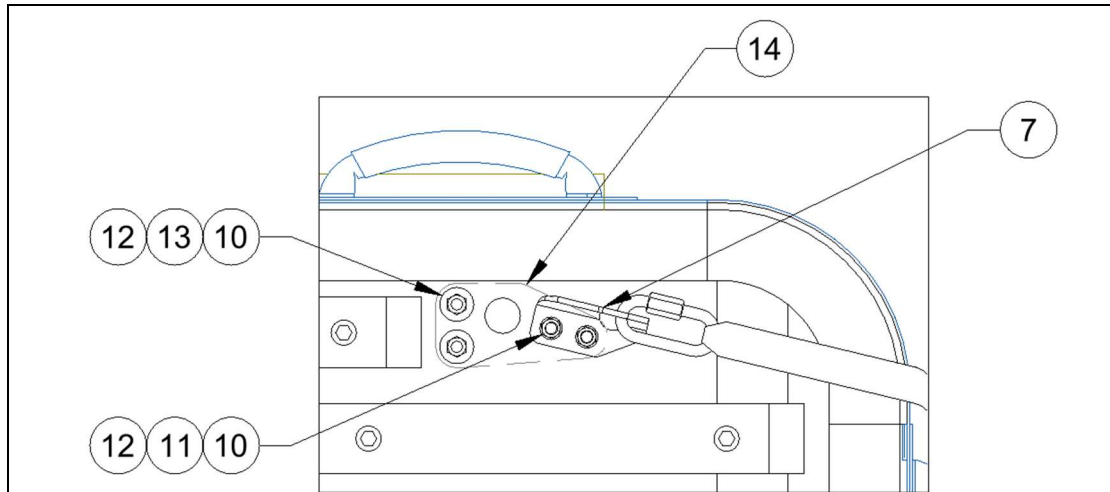


Figure 4 - shows the components forming the anchor point for the Frame Strap.

9. Position the Anchor plates (Item 7 & Item 8) on the outside of the basket floor, noting the folded edge orientation. Ensure all bolt heads are on the inside of the basket floor.
10. Tighten all four bolts to secure the Strengthening Plate and the Anchor Plate.
11. Repeat steps 5 to 10 for each corner of the basket floor.

Assembly:

1. Attach the Quick Link of the Frame Strap (Item 3, 4, 5 or 6) to each of the Anchor Plates and tighten the Locking Sleeve, see Figure 5.



Figure 5 - shows the Frame Strap correctly attached to the Anchor Plate.

2. Place the basket on the ground and fully assemble the basket into its erect state, as seen in Figure 6.

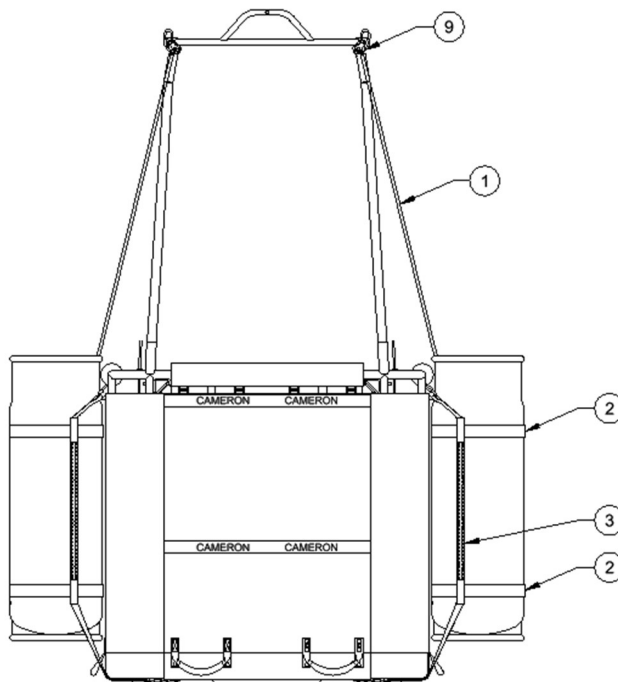


Figure 6 - shows the erected basket with the external cylinders attached.

3. Fix the other end of the Frame Strap to the corresponding D ring on the top frame and tighten the Locking Sleeves of the Quick Links.
4. Ensure there are no twists in the Frame Strap and make sure that the loops are facing towards the basket.
5. Fit two Cylinder Straps (Item 1) to the Top Ring of each of the Fuel Cylinders using a Lark's Head Knot, see Figure 7. Ensure that the knots are tight.

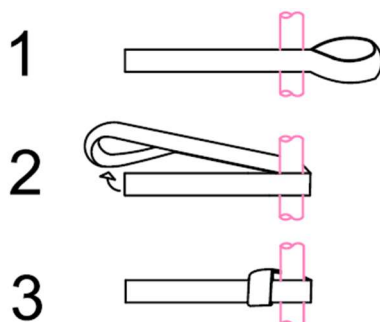


Figure 7 - shows how to produce a Lark's Head Knot.

6. Attach a 2.5-tonne karabiner (Item 9) to the other end of the Cylinder Straps and then attach the karabiner to the corresponding rigging point of the Burner Frame.
7. Once the cylinder is hanging from the burner frame, fit both the Cylinder Straps (Item 2) around the cylinder, pulling them tight. Cylinder straps must pass through the Tape Loops of the Frame Straps. Always use the maximum amount of available strap loops. It is important that the frame straps are tight, otherwise the cylinder straps will not securely hold the cylinder, see Figure 8.



Figure 8 - shows the correct rigging of upper and lower cylinder straps.

8. Inspect the assembly to ensure all components are securely fastened and properly aligned.

3. Materials

Item	Description	Part number	Compact 2 Std. Height	Compact 2 Hi-Spec	Compact 3 Std. Height	Compact 3 Hi-Spec
1	Cylinder Strop	CB3739-1000	4	4	4	4
2	Cylinder strap Assembly	CB3487	4	4	4	4
3	Frame Strap, External Cylinder Straps, Sportlite Compact	CB3783-0011	4	0	0	0
4	Frame Strap, External Cylinder Straps, Sportlite Compact	CB3783-0012	0	4	0	0
5	Frame Strap, External Cylinder Straps, Sportlite Compact	CB3783-0013	0	0	4	0
6	Frame Strap, External Cylinder Straps, Sportlite Compact	CB3783-0014	0	0	0	4
7	Anchor Plate LH, External Cylinder Straps, Sportlite Compact	CB3782-0001	2	2	2	2
8	Anchor Plate RH, External Cylinder Straps, Sportlite Compact	CB3782-0002	2	2	2	2
9	2.5T Karabiner	CU9820-0003	4	4	4	4
10	M8 x 25, Button Head Bolt, SS	CY0008-4025	16	16	16	16
11	M8 Washer, SS	CY0008-2006	8	8	8	8
12	M8 Nyloc Nut, SS	CY0008-1002	16	16	16	16
13	M8 Penny Washer, SS	CY0008-2009	8	8	8	8
14	Strengthening Plate	CB3783-0003	4	4	4	4
15	Runner, Kiln Dried Ash, 25x50mm	CB3762-2000	2	2	2	2
16	Basket, Runner Fasteners, Solid Floor, M6	CB3458	4	4	4	4




Table 1 - shows a list of the components required for the installation of two external Fuel Cylinders.

4. Other Publications Affected

None

5. Remarks

None

Compiled by:		Notes:
		
Date: 03/07/2024	Name: Jack Dean	None
6. Design Organisation Approval		
Approval Statement		
The technical content of this document is approved under the authority of DOA nr UK.21J.0140		
		
Date: 11/07/2024	Name: D J Cameron	